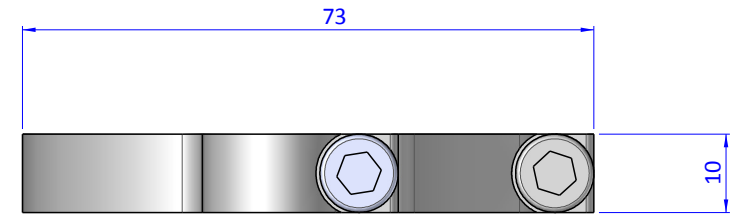
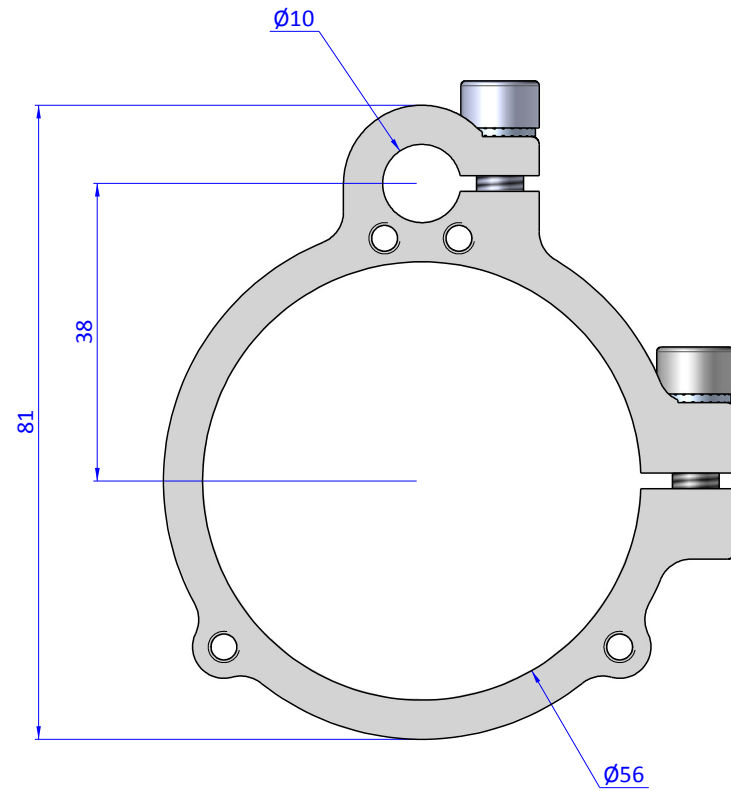
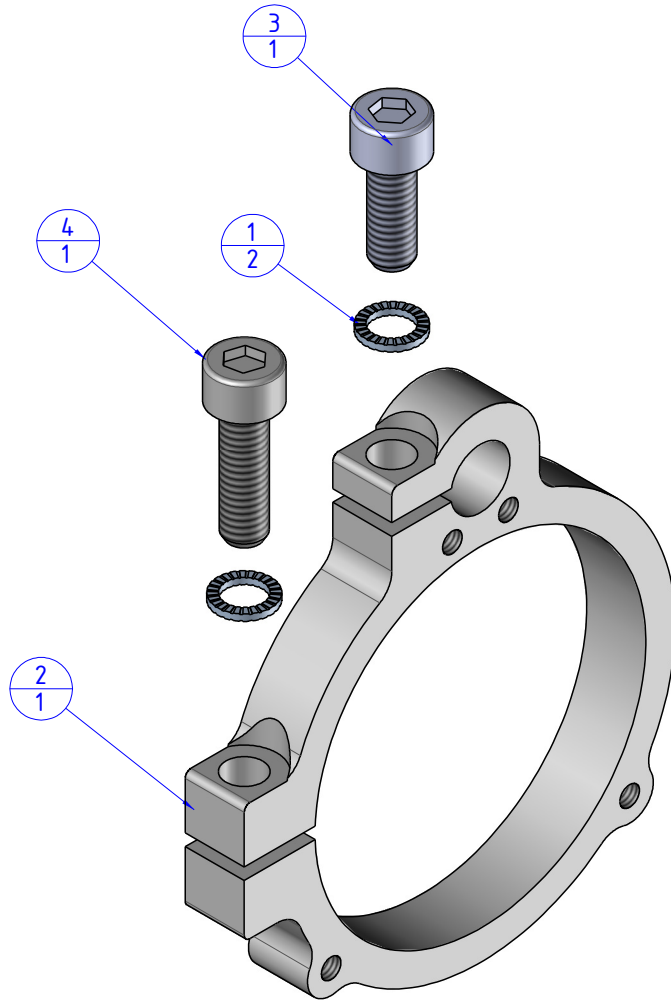



THE PROPERTY OF THE DRAWING IS ESTABLISHED BY LAW. IT IS FORBIDDEN TO PRODUCE OR SHOW IT TO THIRD PARTY, WITHOUT A WRITTEN AGREEMENT.

Item	Name	Q.ty
1	R.6.SCH	2
2	SAT.5610.L	1
3	V.TCE6x16	1
4	V.TCE6x20	1



Format A3

UNI 936-76

 FPS FPSERVICES AUTOMATION		DESIGNED FROM		REVIEW
		FPS Automation		A
GENERAL TOLERANCE		DATE	WEIGHT	
UNI - ISO 2768		16/05/2019	0.043 Kg	
CLASSE f		CODE		
		CA.SAT.5610		CA.SAT.5610